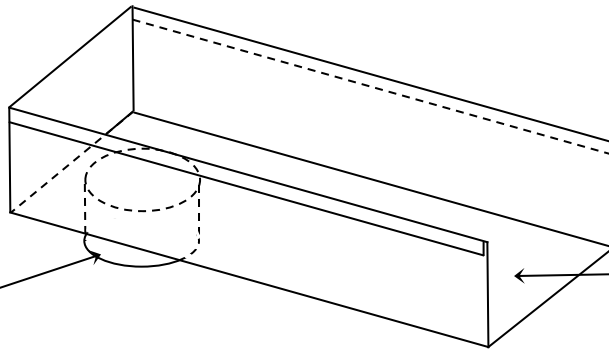
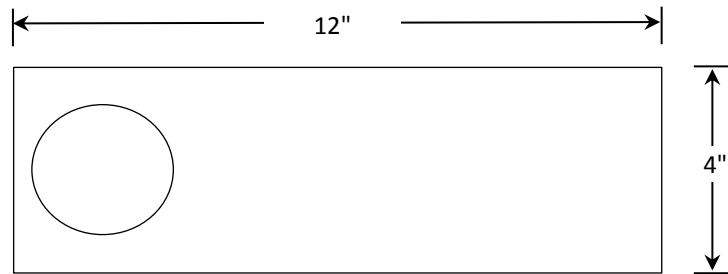


ALUMINUM PIPE
6063 T6
ASTM B-221

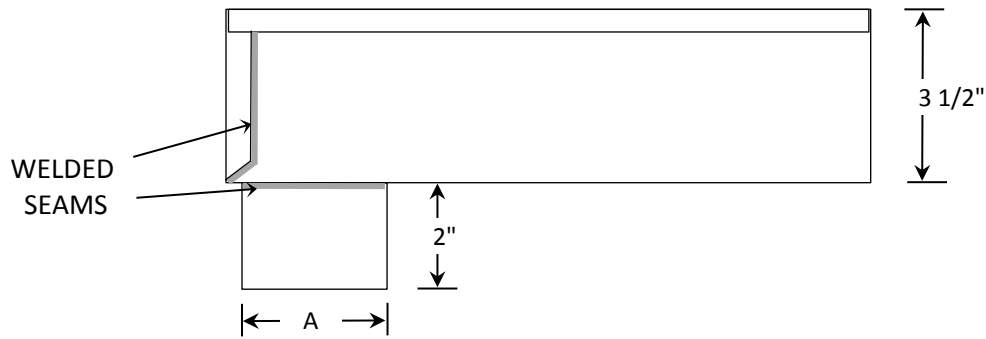


ALUMINUM .032
5052 H32
ASTM B-209 -14

TOP VIEW



SIDE VIEW



PIPE SIZING CHART

SCUPPER	A (O.D.)	CODE
2"	1.88"	JSC2
3"	2.64"	JSC3

**ALUMINUM SCUPPER
OPEN TOP**

SCALE:	NOT TO SCALE
DRAWN BY:	
DATE:	MAY 12/2015
DRAWING #:	12615



8081 132nd STREET
SURREY, BC V3W 4N5
PH: 604-594-6001 FAX: 604-594-6602
precisionmetals.ca