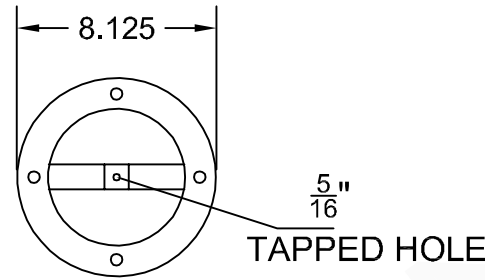
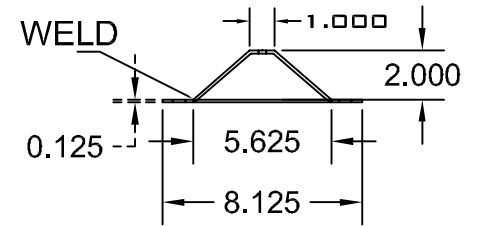


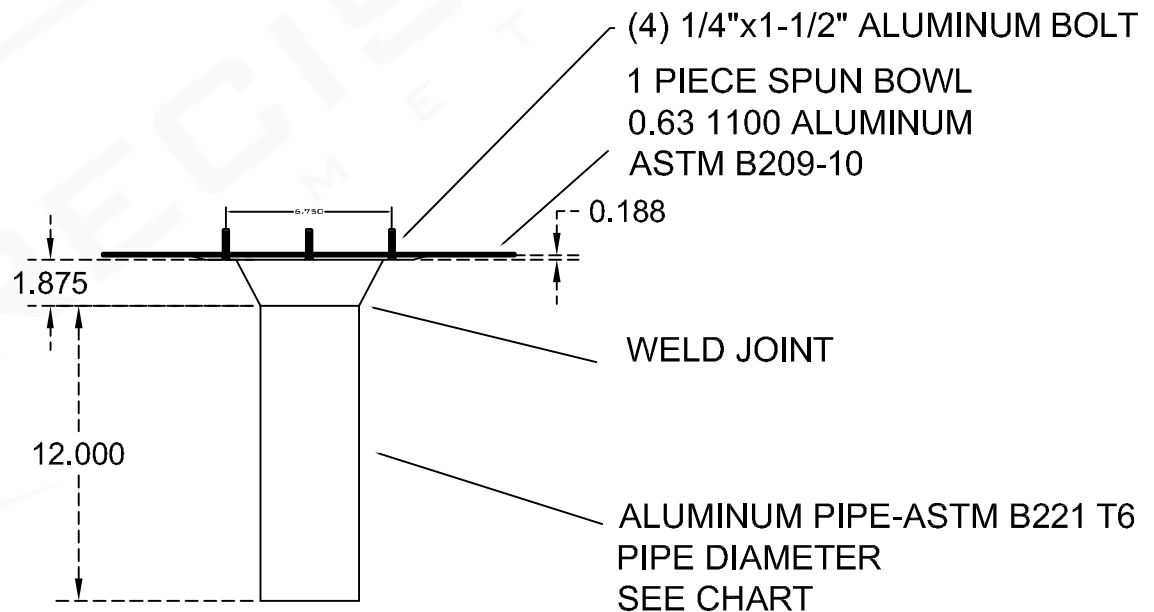
PLAN VIEW



CLAMPING RING
0.125 5052 H32
ALUMINUM
ASTM B-209



CLAMPING RING
SIDE PROFILE



FRONT VIEW

PIPE DIAMETER CHART	
DRAIN SIZE	PIPE DIAMETER
2"	1.884" O/D
3"	2.634" O/D
4"	3.734" O/D



www.precisionmetals.ca

PART
NAME:

SPUN ALUMINUM ROOF DRAIN
CLAMPING

DRAWN
BY: D.B.

SCALE:
NTS

DATE:
03/31/21

SHEET: