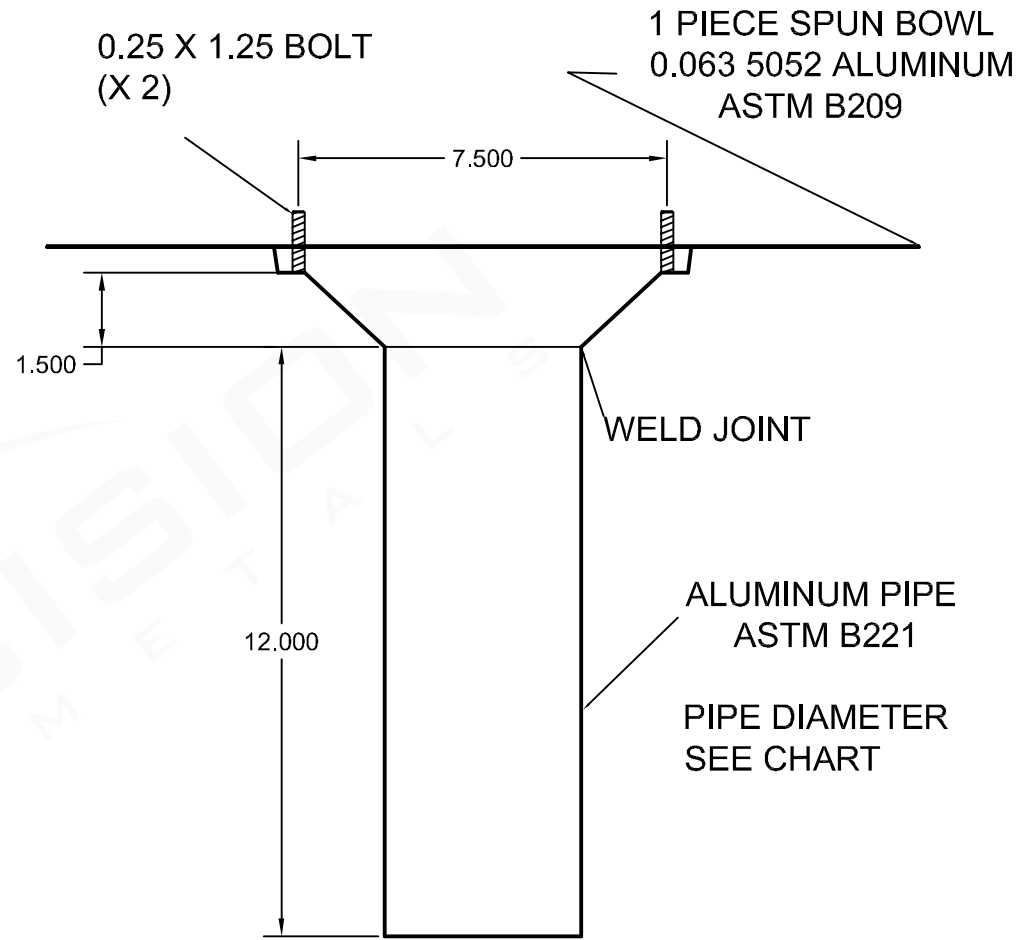


PLAN VIEW



FRONT VIEW

PIPE DIAMETER CHART	
DRAIN SIZE	PIPE DIAMETER
2"	2.634 O.D.
3"	3.734 O.D.
4"	4.734 O.D.



PART  
NAME:

**SPUN ALUMINUM ROOF DRAIN**

DRAWN  
BY: D.B.

DATE:  
04/05/21

SCALE:  
NTS

SHEET: