

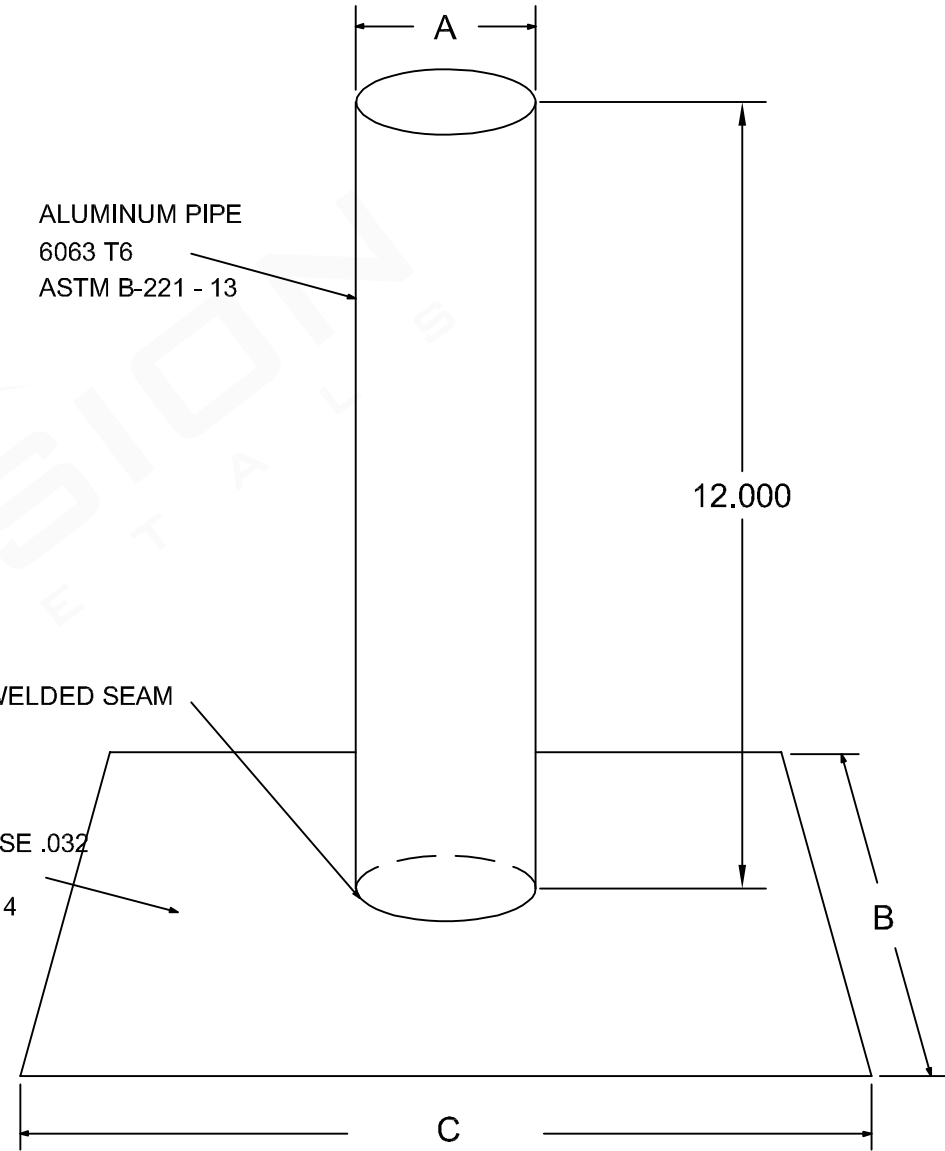
PLAN VIEW

SIZING CHART			
DRAIN	A (O.D.)	B	C
2"	1.75"	7"	7"
3"	2.64"	9"	9"
4"	3.75"	12"	12"

ALUMINUM PIPE
6063 T6
ASTM B-221 - 13

WELDED SEAM

ALUMINUM BASE .032
5052 H32
ASTM B-209 - 14



FRONT VIEW



PART
NAME:

ALUMINUM DRAIN WELDED

DRAWN
BY: D.B.

DATE:
04/08/21

SCALE:
NTS

SHEET: