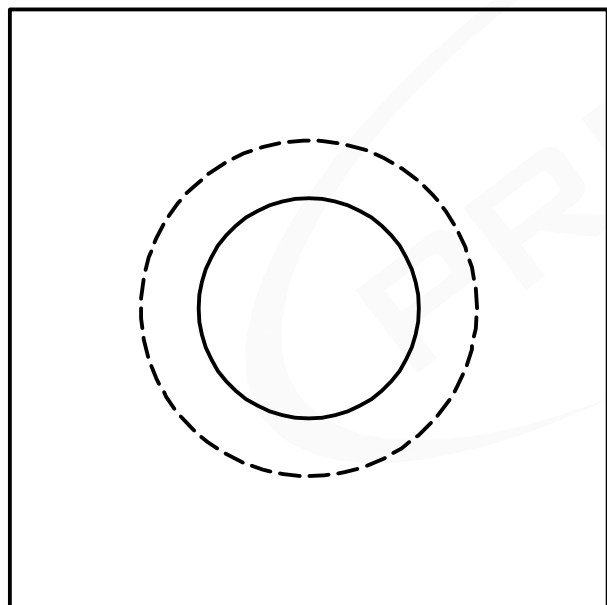
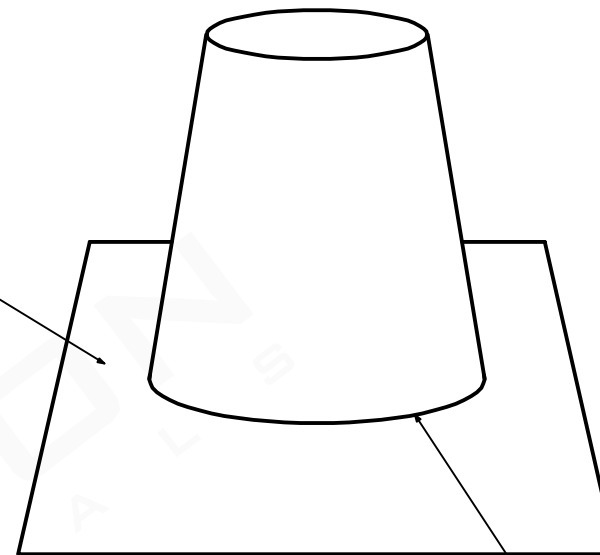


SIDE VIEW



PLAN VIEW

4" FLANGE
(ALL SIDES)



SEALED SEAM

MATERIAL: GALVANIZED 26GA (G90)
ASTM A653

AVAILABLE HOTWELDED OR SOLDERED

SIZING CHART			
FLASHING	A	B	C
4"	4.75"	10.5"	8.25"
5"	5.75"	10.5"	9.25"
6"	6.75"	10.5"	10.25"
7"	7.75"	10.5"	11.25"
8"	8.75"	10.5"	12.25"
10" PIPE SIZE	10"	10.5"	16.5"
10"	12.25"	10.5"	16.5"
12"	14.25"	10.5"	18.5"



www.precisionmetals.ca

PART
NAME:

B VENT FLASHING FLAT

DRAWN
BY: D.B.

DATE:
04/08/21

SCALE:
NTS

SHEET: