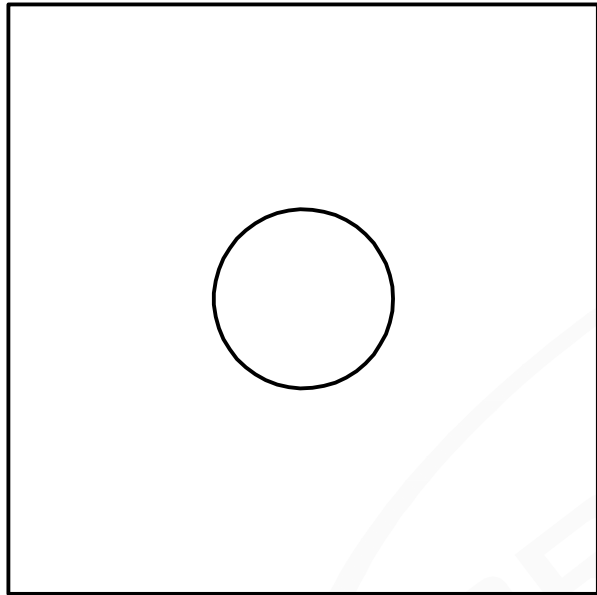


AVAILABLE HOTWELDED OR SOLDERED

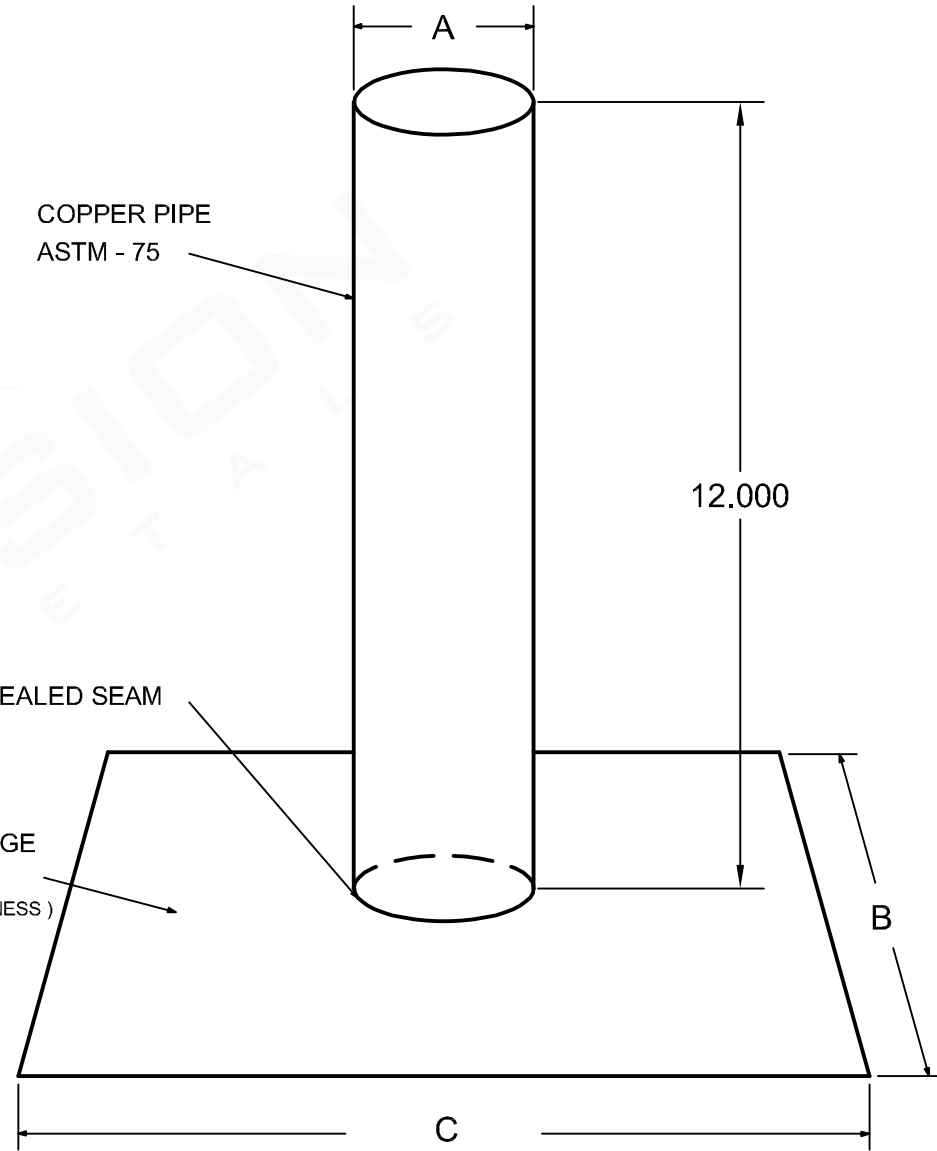


PLAN VIEW

COPPER PIPE
ASTM - 75

SEALED SEAM

COPPER FLANGE
ASTM B370 -12
(SEE CHART FOR THICKNESS)



FRONT VIEW

SIZING CHART

DRAIN	A (O.D.)	B	C	FLANGE
2"	1.75"	7"	7"	16oz
3"	2.75"	9"	9"	16oz
4"	3.75"	12"	12"	24oz



PART
NAME:

COPPER DRAIN

DRAWN
BY: D.B.

DATE:
04/08/21

SCALE:
NTS

SHEET: