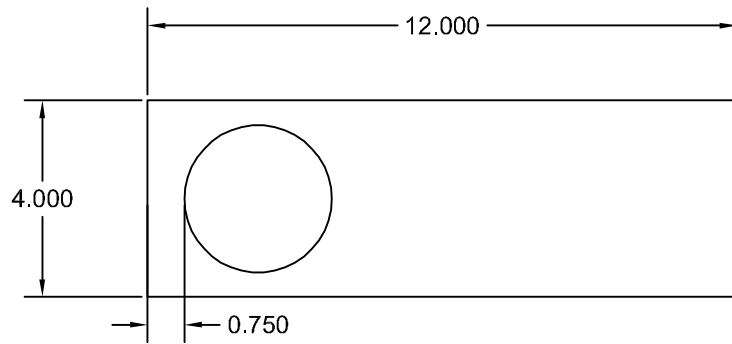
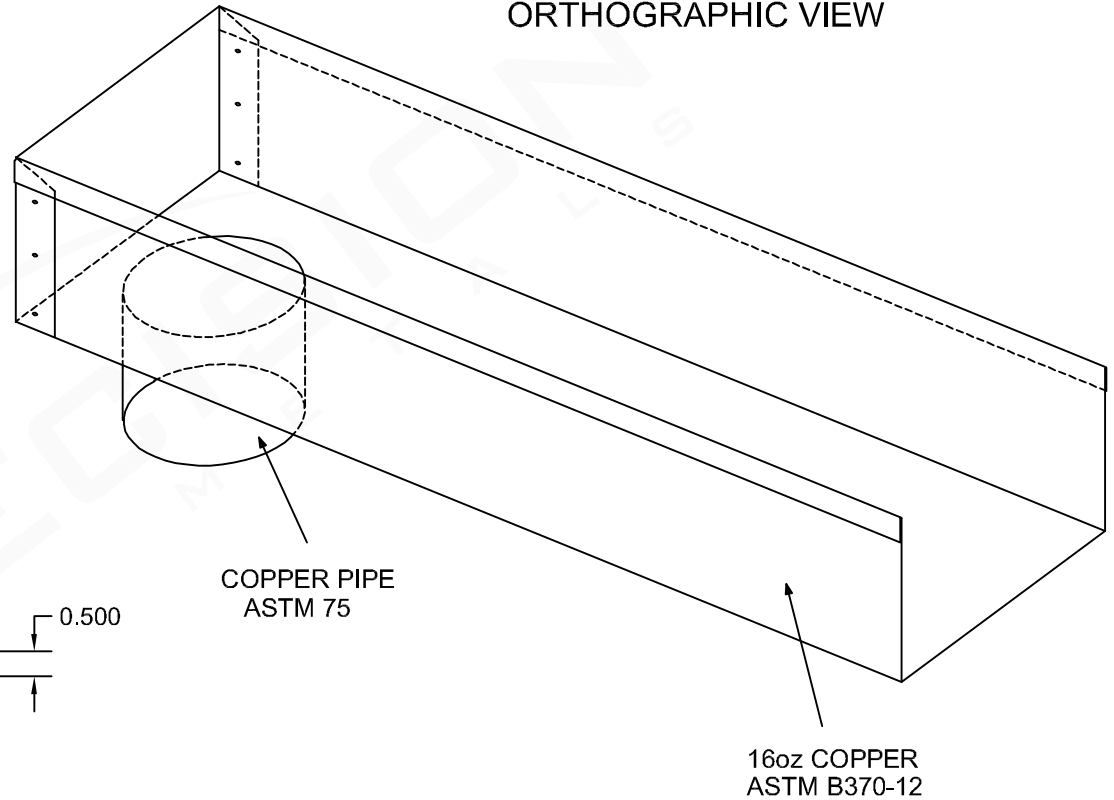


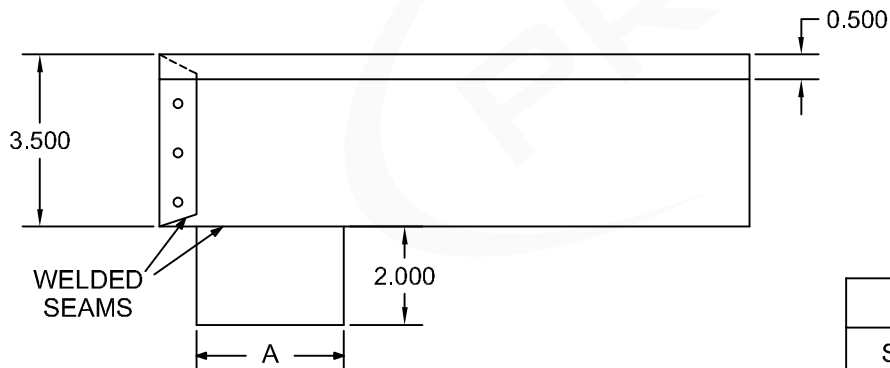
TOP VIEW



ORTHOGRAPHIC VIEW



SIDE VIEW



COPPER PIPE
ASTM 75

16oz COPPER
ASTM B370-12

PIPE SIZING CHART

SCUPPER	A (O.D.)	CODE
2"	1.75"	ESC2HW
3"	2.75"	ESC3HW



PART NAME:

COPPER SCUPPER OPEN TOP

DRAWN BY:

D.B.

DATE:

04/21/21

SCALE:

NTS

SHEET: