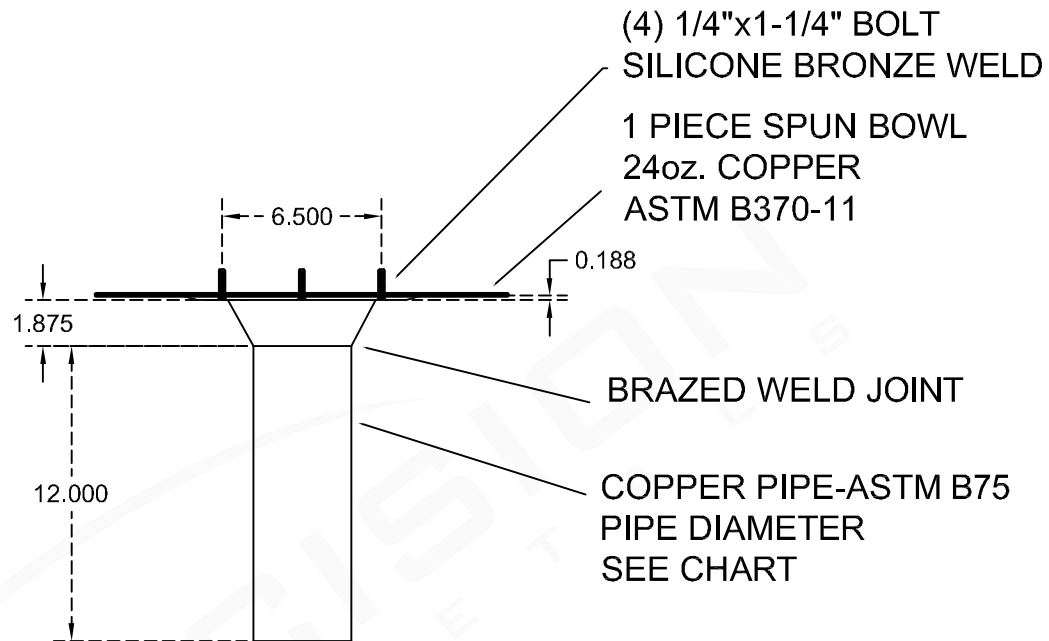
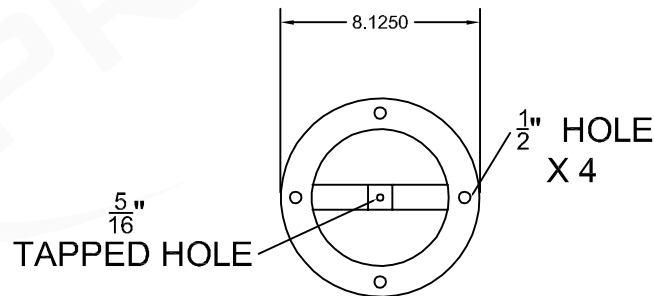


PLAN VIEW



FRONT VIEW



CLAMPING RING
SIDE PROFILE

CLAMPING RING
5052 H32
ALUMINUM
ASTM B-209

(4) 1/4"x1-1/4" BOLT
SILICONE BRONZE WELD
1 PIECE SPUN BOWL
24oz. COPPER
ASTM B370-11

BRAZED WELD JOINT

COPPER PIPE-ASTM B75
PIPE DIAMETER
SEE CHART

PIPE DIAMETER CHART	
DRAIN SIZE	PIPE DIAMETER
2"	1 3/4" O/D
3"	2 3/4" O/D
4"	3 3/4" O/D



www.precisionmetals.ca

PART NAME: **SPUN COPPER ROOF DRAIN CLAMPING**

DRAWN BY: D.B.

SCALE: NTS

DATE: 03/31/21

SHEET: 001