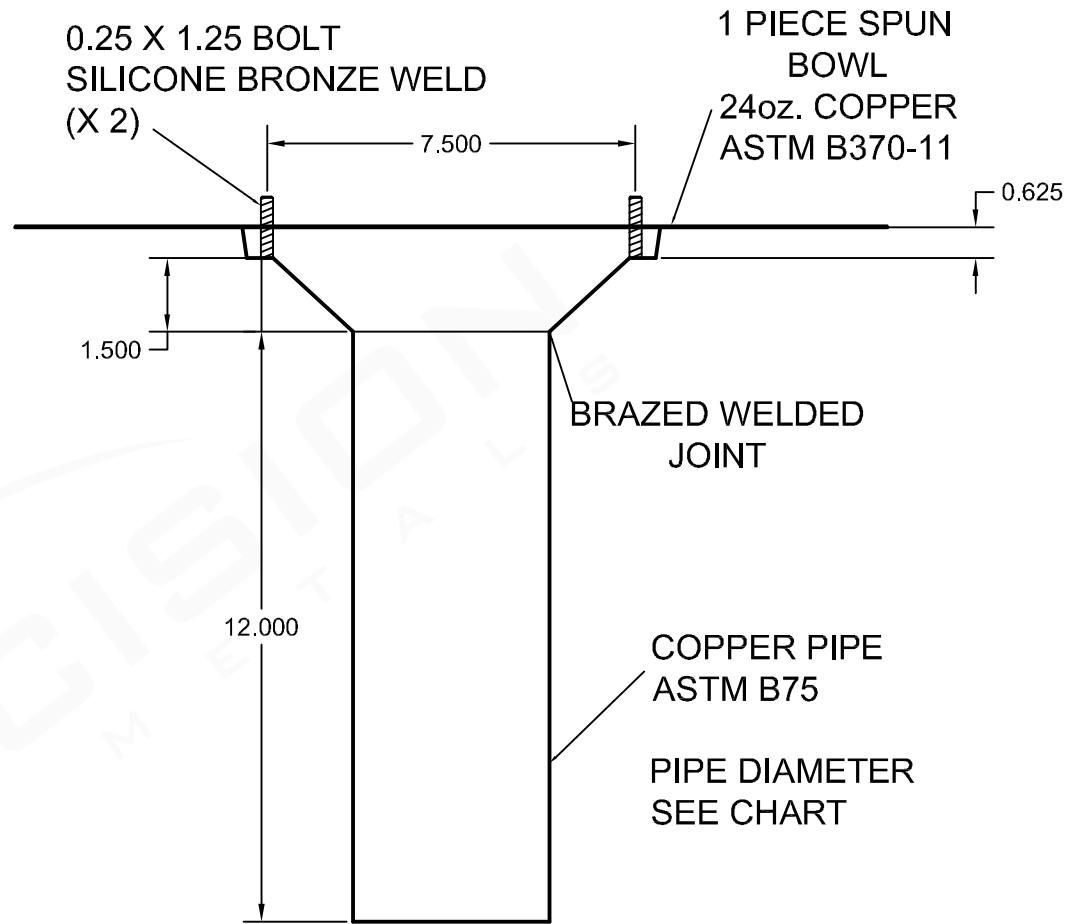


PLAN VIEW



FRONT VIEW

PIPE DIAMETER CHART	
DRAIN SIZE	PIPE DIAMETER
2"	1.75 O.D.
3"	2.75 O.D.
4"	3.75 O.D.



PART
NAME:

SPUN COPPER ROOF DRAIN

DRAWN
BY: D.B.

DATE:
04/05/21

SCALE:
NTS

SHEET: