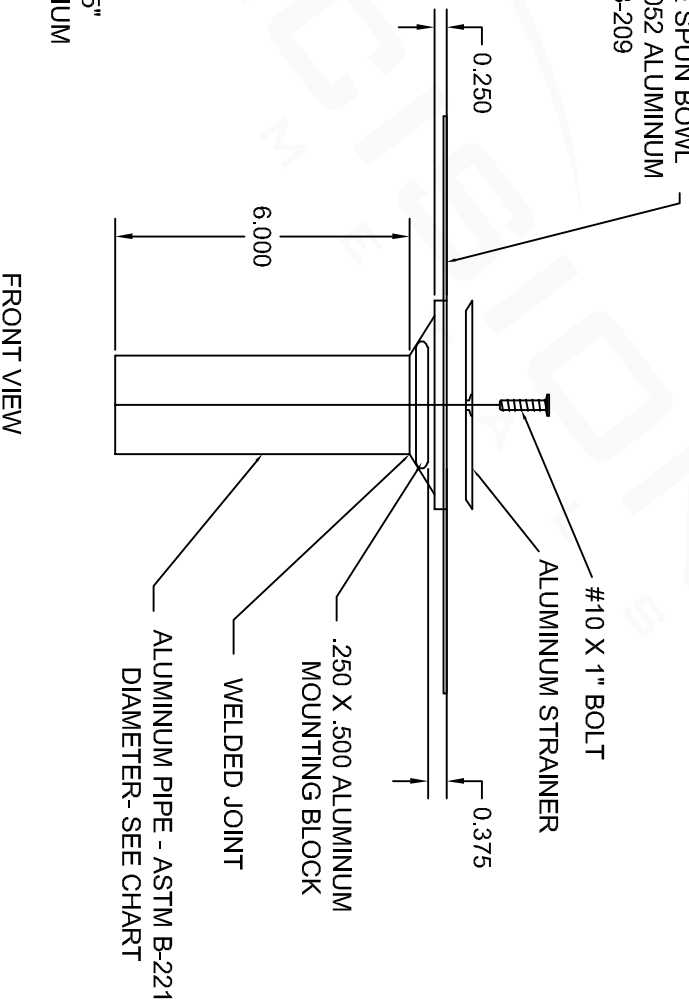


1 PIECE SPUN BOWL  
0.063 5052 ALUMINUM  
ASTM B-209



PIPE DIAMETER CHART	
DRAIN SIZE	PIPE DIAMETER
2"	1.884 O.D.
3"	2.634 O.D.
4"	3.734 O.D.



www.precisionmetals.ca

PART  
NAME:

# SPUN ALUMINUM DECK DRAIN

DRAWN

BY: D.B.

SCALE:  
NTS

DATE:

15/10/21

SHEET: