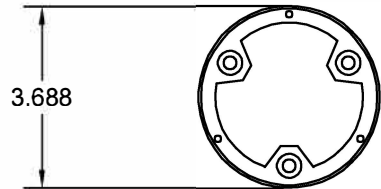
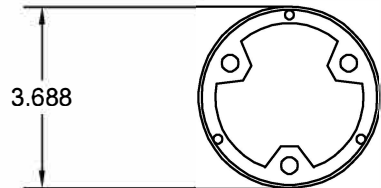


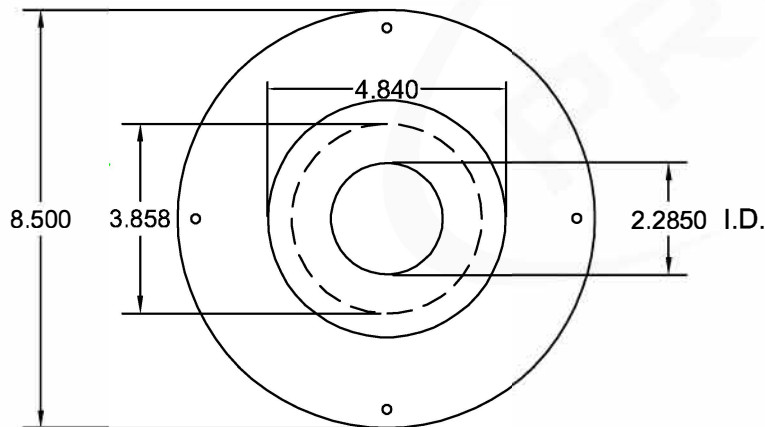
Aluminum Strainer 0.125 - 5052 Aluminum - ASTM B-209



Clamping Ring 0.250 - 5052 Aluminum - ASTM B-209



Insert Ring 0.125 - 5052 Aluminum - ASTM B-209

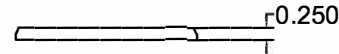


1 Piece Spun Bowl 0.063 - 1100 Aluminum - ASTM B-209

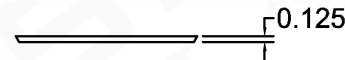
PLAN VIEW



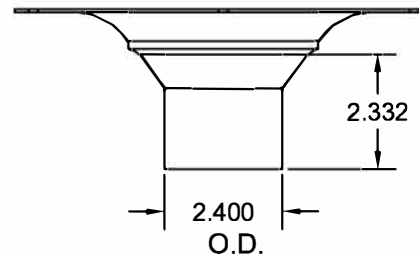
(3) 8 - 32 X .5
Stainless Steel Machine Screw



(3) .25 - 20 X .75
Stainless Steel Machine Screw



(3) 8 - 32
Press In, Pem Nuts



SIDE VIEW

SIZING CHART

DRAIN SIZE	CODE	STEM OD
2"	JVDD2	2.40"
2" PVC COATED	JVDD2C	2.40"



PART NAME:

**2" ALUMINUM / VINYL
DECK DRAIN**

DRAWN BY:

D.B.

DATE:

04/06/21

SCALE:

NTS

SHEET: