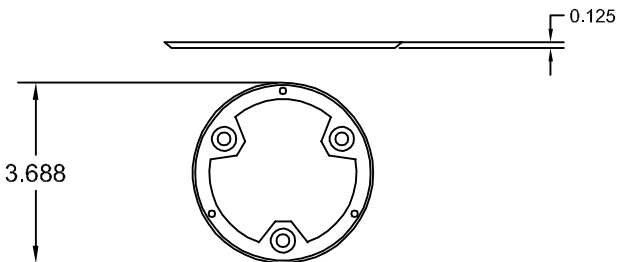


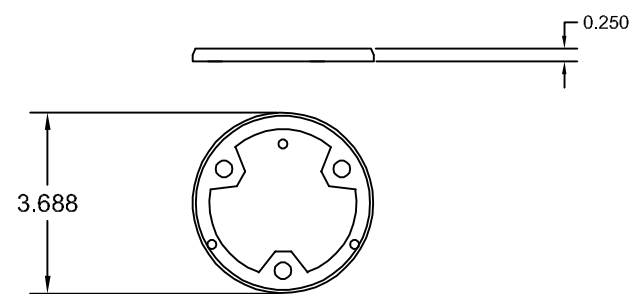
Aluminum Strainer 0.125 - 5052 Aluminum - ASTM B-209

(3) 8 - 32 X .5  
Stainless Steel Machine Screw



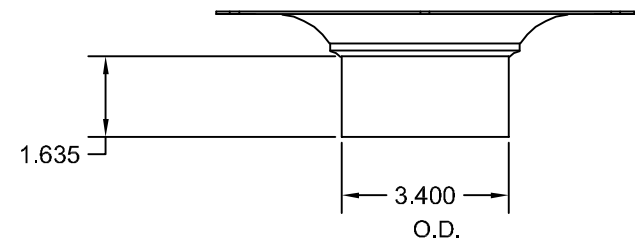
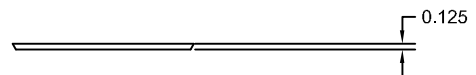
Clamping Ring 0.250 - 5052 Aluminum - ASTM B-209

(3) .25 - 20 X .75  
Stainless Steel Machine Screw

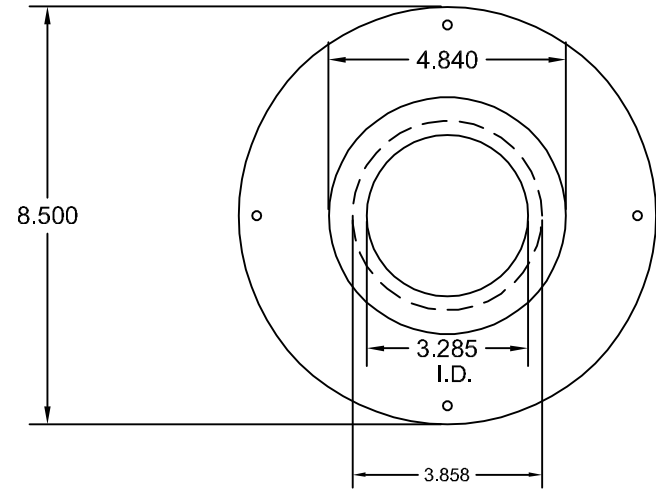


Insert Ring 0.125 - 5052 Aluminum - ASTM B-209

(3) 8 - 32  
Press In, Pem Nuts



SIDE VIEW



1 Piece Spun Bowl 0.063 - 1100 Aluminum - ASTM B-209

PLAN VIEW

SIZING CHART		
DRAIN SIZE	CODE	STEM OD
3"	JVDD3	3.40"
3" PVC COATED	JVDD3C	3.40"



**PART NAME:** 3" ALUMINUM / VINYL DECK DRAIN

**DRAWN BY:** D.B  
**SCALE:** NTS

**DATE:** 04/06/21  
**SHEET:**