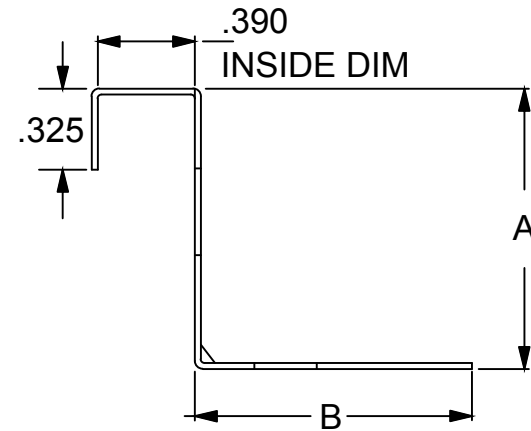
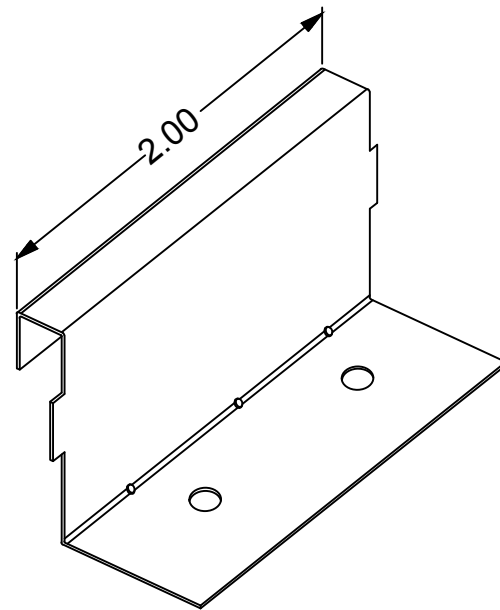


TOP VIEW



SIDE VIEW



MATERIAL:

GALVANIZED 24 GA. G90 ASTM A653

PREPAINT 24 GA. SMP ASTM A792

SIZE	CODE	DIMENSIONS	
		A	1.125
1"	PSSC1	B	1.250 +/-
		A	1.625
1.5"	PSSC2	B	.75 +/-