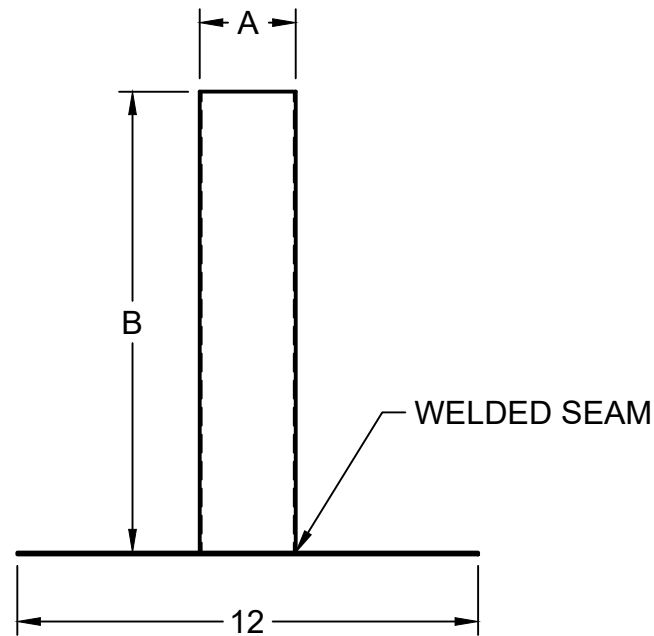
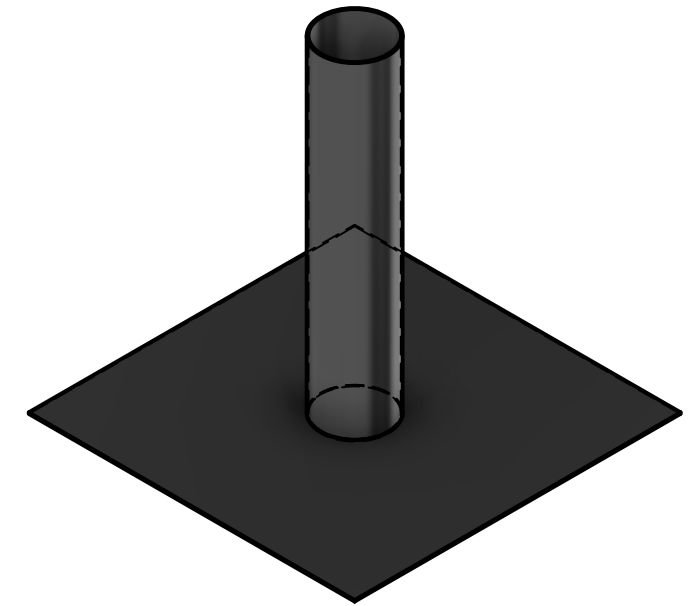
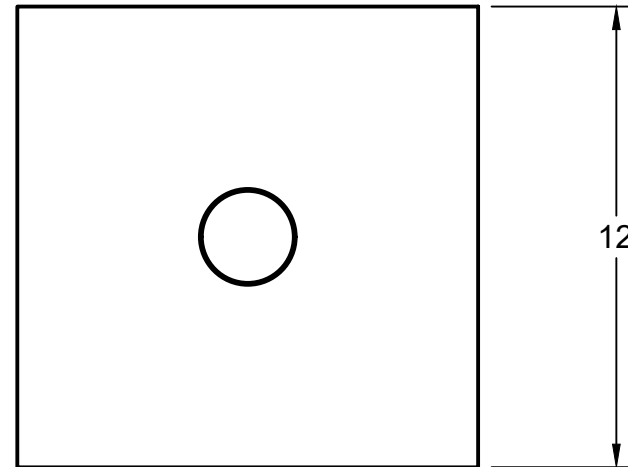


SIZING CHART			
STACK SIZE	A (I.D.)	A (O.D.)	B
1.25"	1.75"	1.86"	12"
1.5"	2.17"	2.29"	12"
2"	2.52"	2.61"	12"
3"	3.6"	3.78"	12"
4"	4.5"	4.61"	12"
5"	5.6"	5.83"	12"



NOTE: THIS DRAWING IS FOR REFERENCE ONLY
BASE DIMENSIONS INCREASE ABOVE 4" PIPE

		PROJECT		
		FLAT LEAD STACK		
		TITLE		
		FLAT LEAD STACK		
APPROVED	SIZE	CODE	DWG NO	REV
CHECKED	B			
DRAWN	SCALE 1:5	WEIGHT	SHEET 1/1	