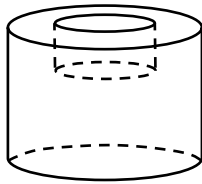


ALUMINUM CAP
5052 H32
ASTM B-209



4# POLYISO INSULATION

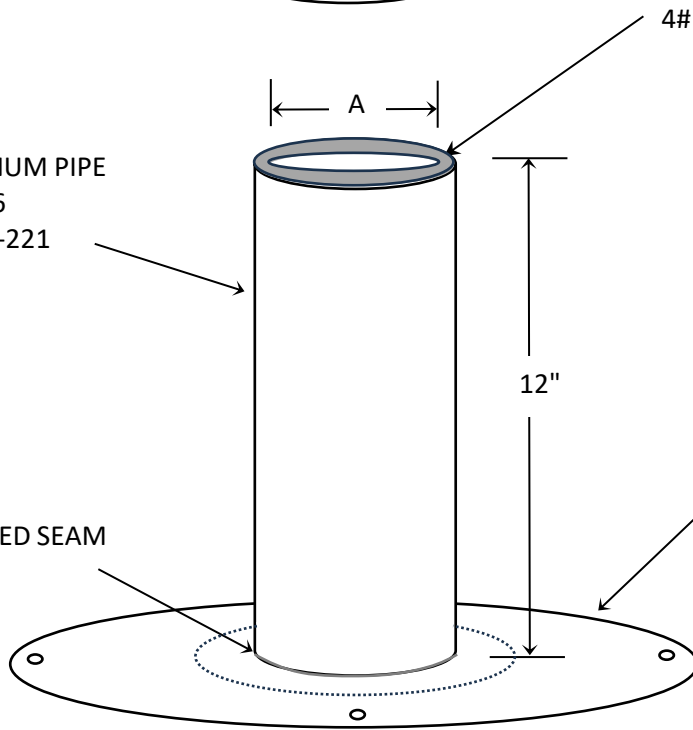
ALUMINUM PIPE
6063 T6
ASTM B-221

A

12"

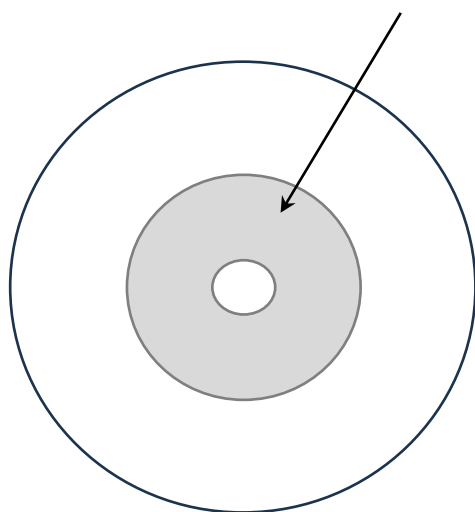
ALUMINUM BASE
5052 H32
ASTM B-209

WELDED SEAM



BOTTOM VIEW

EPDM RUBBER SEAL



SIZING CHART

STACK SIZE	A	CODE
1 1/2"	2.5"	JASFI15
2"	2.5"	JASFI2
3"	3.5"	JASFI3
4"	4.625"	JASFI4

**INSULATED
ALUMINUM
PLUMBING
FLASHING**

SCALE: NTS

DRAWN BY:

DATE: FEB 01/2026

DRAWING #: 110226



8081 132nd STREET

SURREY, BC V3W 4N5

PH: 604-594-6001 FAX: 604-594-6602

precisionmetals.ca